



**CANOPY COVERAGE
MADE SIMPLE**



SHADECASTER

**Stylish open-air Boat and RV
canopy coverage made simple**

Quick!

Ready-made permit drawings for most of the country can be delivered in XX days and material ready for installation within 4 weeks.

Easy!

The construction schedule is simplified since the steel subcontractor does not have to be on site while the concrete subcontractor pours the footings.

Neat!

Clean finish for maximum parking square footage for both straight and 60 degree angled implementations.

Scalable!

Modular design is engineered with 4-18 bays and up to 32 space and easily configured to best suit property.

Sustainable!

Made from 100% recycled materials with optional solar panel designs, the canopy extends the useful life and cost of ownership.



Design Criteria (Standard)

Stamped by Registered Professional Engineer

Wind Load: 105 mph

Ground Snow Load: 10 psf

12 ga 57 KSI Galvanized Framing

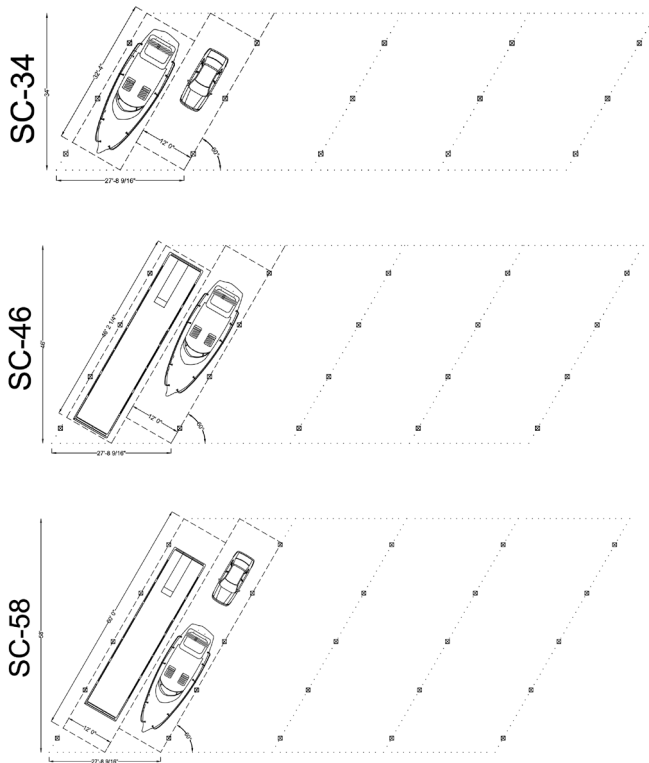
26 ga Galvanized Exposed Fastener Roof

7.2 (36" Coverage)



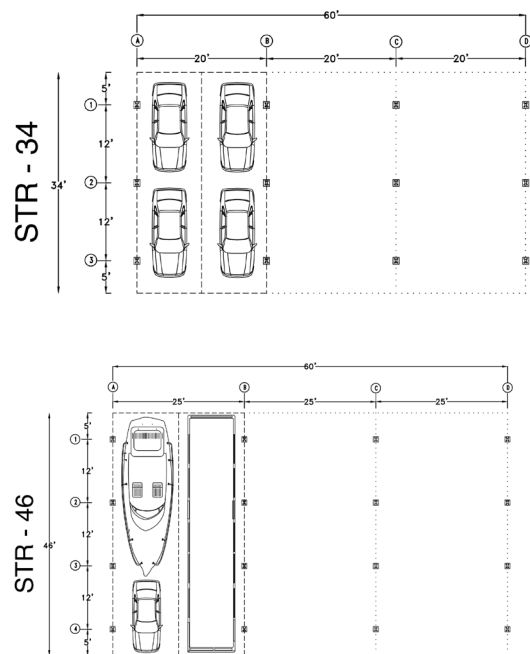
60 Degree Bay Options

| Depth | Length | Bays | Spaces |
|-----------|-------------|--------|--------|
| 34' ~ 82' | 110' ~ 388' | 4 ~ 14 | 8 ~ 28 |



Starlight Bay Options

| Depth | Length | Bays | Spaces |
|-----------|-------------|--------|--------|
| 34' ~ 46' | 105' ~ 405' | 4 ~ 16 | 8 ~ 32 |



Contact our sales team today to discuss your next project!

Scan to view the wind design map

www.centralstatesco.com
800-225-9315



SHADECASTER

